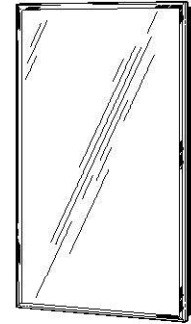


# STYLELINE SERIES STEEL BODY MEDICINE CABINETS



Meets or exceeds all government specifications as published in Federal Specification #WW-P-541/8B.

**FEATURES**

- Easy to clean, heavy gauge steel construction
- Glass mirror
- Stainless steel frame
- Full piano hinge
- Adjustable, glass shelves (478FS aluminum)
- Reversible — for left or right-hand door opening
- Includes mounting hardware
- Toothbrush holder

**RECESSED CABINETS**

MODEL NO.	WALL OPENING			OVERALL SIZE	
	A	B	C	D	E
470FS	14	24	3½	16⅞	26⅞
478FS	14	24	3½	16⅞	26⅞

**SURFACE MOUNT CABINET**

MODEL NO.	BODY SIZE			OVERALL SIZE		
	A	B	C	D	E	F
472FS	15⅝	21⅝	4⅜	16⅞	22⅞	5

**TYPICAL SPECIFICATION**

Medicine cabinet shall be Broan Styleline Series Model 470FS, (472FS), (478FS).

Cabinet shall be of heavy gauge steel construction and finished with white powder coat baked-on paint.

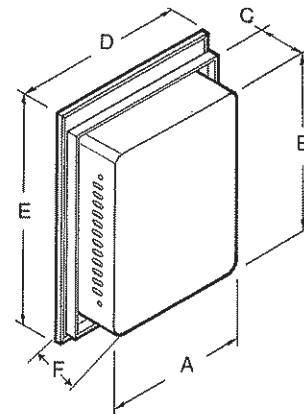
Mirror shall have full surround of stainless steel frame with full closure. Steel door back shall be fitted tight within the frame and finished in baked-on powder paint to match cabinet.

Cabinet shall have full piano hinge with built-in door stop and a magnetic door catch.

Cabinet shall include three adjustable glass shelves. (Model 478FS includes three adjustable aluminum shelves).

Cabinet shall include a toothbrush holder.

Cabinet shall be reversible for left-hand or right-hand installation.



REFERENCE	QTY.	REMARKS	Project
			Location
			Architect
			Engineer
			Contractor
			Submitted by <span style="float: right;">Date</span>